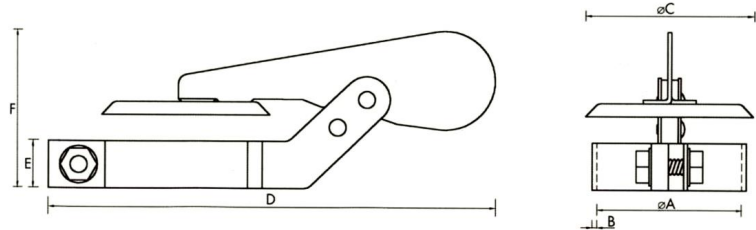


## Price List 2021

Stainless Steel  
 AISI 430 (1CR17) EN 1.4016  
 Mild Steel  
 S355JR (FE360).



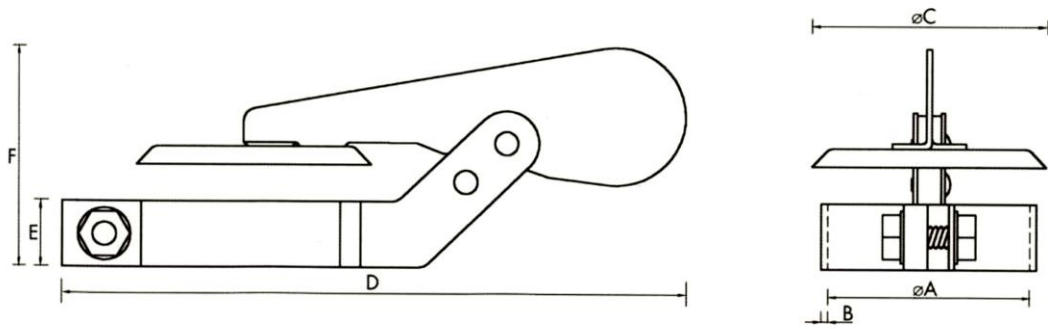
Pipe OD mm (inch)	Finish	Part Number	Price Per Unit	Pipe OD mm (Inch)	Finish	Part Number	Price Per Unit
38 (1½)	Mild Steel Black Painted	27038	£17.57	160 (6¼)	Mild Steel Black Painted	27160	£38.78
	Stainless Steel	28038	£19.38		Stainless Steel	28160	£42.84
40 (1⅝)	Mild Steel Black Painted	27040	£17.57	168 (6⅝)	Mild Steel Black Painted	27168	£41.24
	Stainless Steel	28040	£19.38		Stainless Steel	28168	£45.31
45 (1¾)	Mild Steel Black Painted	27045	£17.57	180 (7)	Mild Steel Black Painted	27180	£46.60
	Stainless Steel	28045	£19.38		Stainless Steel	28180	£51.20
48 (1⅞)	Mild Steel Black Painted	27048	£17.89	193 (7½)	Mild Steel Black Painted	27193	£53.88
	Stainless Steel	28048	£19.82		Stainless Steel	28193	£59.24
50 (2)	Mild Steel Black Painted	27050	£17.89	200 (7⅞)	Mild Steel Black Painted	27200	£66.52
	Stainless Steel	28050	£19.82		Stainless Steel	28200	£68.56
55 (2⅛)	Mild Steel Black Painted	27055	£18.85	219 (8⅝)	Mild Steel Black Painted	27219	£100.91
	Stainless Steel	28055	£20.67		Stainless Steel	28219	£111.09
60 (2⅜)	Mild Steel Black Painted	27060	£18.85	245 (9⅝)	Mild Steel Black Painted	27245	£106.15
	Stainless Steel	28060	£20.67		Stainless Steel	28245	£116.86
65 (2½)	Mild Steel Black Painted	27065	£18.85	250 (9⅞)	Mild Steel Black Painted	27250	£106.15
	Stainless Steel	28065	£20.67		Stainless Steel	28250	£116.86
70 (2¾)	Mild Steel Black Painted	27070	£18.85	254 (10)	Mild Steel Black Painted	27254	£107.02
	Stainless Steel	28070	£20.67		Stainless Steel	28254	£117.73
76 (3)	Mild Steel Black Painted	27076	£19.38	273 (10¾)	Mild Steel Black Painted	27273	£110.33
	Stainless Steel	28076	£21.42		Stainless Steel	28273	£121.26
80 (3⅛)	Mild Steel Black Painted	27080	£19.38	277 (10⅞)	Mild Steel Black Painted	27277	£110.33
	Stainless Steel	28080	£21.42		Stainless Steel	28277	£121.26
89 (3½)	Mild Steel Black Painted	27089	£19.38	300 (11¼)	Mild Steel Black Painted	27300	£119.97
	Stainless Steel	28089	£21.42		Stainless Steel	28300	£131.86
92 (3⅝)	Mild Steel Black Painted	27092	£20.03	323 (12⅔)	Mild Steel Black Painted	27323	£121.15
	Stainless Steel	28092	£22.06		Stainless Steel	28323	£133.26
103 (4)	Mild Steel Black Painted	27103	£21.32	325 (12¾)	Mild Steel Black Painted	27325	£122.33
	Stainless Steel	28103	£23.46		Stainless Steel	28325	£135.54
114 (4½)	Mild Steel Black Painted	27114	£23.67	332 (13)	Mild Steel Black Painted	27332	£123.51
	Stainless Steel	28114	£26.14		Stainless Steel	28332	£135.61
120 (4¾)	Mild Steel Black Painted	27120	£35.13	355 (14)	Mild Steel Black Painted	27355	£139.89
	Stainless Steel	28120	£38.78		Stainless Steel	28355	£153.82
127 (5)	Mild Steel Black Painted	27127	£34.06	400 (15¾)	Mild Steel Black Painted	27400	£209.85
	Stainless Steel	28127	£37.49		Stainless Steel	28400	£224.20
133 (5¼)	Mild Steel Black Painted	27133	£35.13	406 (16)	Mild Steel Black Painted	27406	£230.95
	Stainless Steel	28133	£38.67		Stainless Steel	28406	£242.31
139 (5½)	Mild Steel Black Painted	27139	£37.60	457 (18)	Mild Steel Black Painted	27457	£296.19
	Stainless Steel	28139	£41.34		Stainless Steel	28457	£326.50
150 (5⅞)	Mild Steel Black Painted	27150	£37.60				
	Stainless Steel	28150	£41.34				

Prices are per single unit. Please contact [info@gencat.co.uk](mailto:info@gencat.co.uk) for bulk enquiries.

Diameters are Outside Pipe, inches are approximate. Prices exclude VAT and Delivery. Prices valid until 31 December 2021.

[www.gencat.co.uk](http://www.gencat.co.uk)

Tel: +44 (0)1923 517 118 email: [sales@gencat.co.uk](mailto:sales@gencat.co.uk)



OD mm (inch)	A	B	C	D	E	F
38 (1½)	38	2.5	55	194	25	83
40 (1⅝)	40	2.5	55	196	25	83
43 (1¾)	43	2.5	55	199	25	83
45 (1¾)	45	2.5	61	201	25	83
48 (1⅞)	48	2.5	61	204	25	83
50 (2)	50	2.5	61	206	25	83
55 (2⅛)	55	2.5	67	211	25	83
60 (2⅜)	60	2.5	75	216	25	83
65 (2½)	65	2.5	75	221	25	83
70 (2¾)	70	2.5	89	226	25	83
76 (3)	76	2.5	89	232	25	83
80 (3⅛)	80	2.5	94	236	30	88
89 (3½)	89	2.5	104	245	30	88
92 (3⅝)	92	2.5	119	248	30	88
103 (4)	103	2.5	119	259	30	88
114 (4½)	114	2.5	131	270	30	88
120 (4¾)	120	2.5	131	276	30	88
127 (5)	127	2.5	150	283	30	88
133 (5¼)	133	2.5	156	376	30	98
139 (5½)	139	2.5	156	382	30	98
150 (5⅞)	150	2.5	186	395	30	98
160 (6¼)	160	2.5	186	403	30	98
170 (6⅝)	170	2.5	186	413	30	98
180 (7)	180	2.5	219	440	30	108
193 (7½)	193	2.5	219	453	30	108
200 (7⅞)	200	2.5	219	460	30	108
219 (8⅝)	219	2.5	242	462	30	98
245 (9⅝)	245	2.5	265	488	30	98
250 (9⅞)	250	2.5	280	493	30	98
254 (10)	254	2.5	280	497	30	98
273 (10¾)	273	2.5	295	516	30	98
277 (10⅞)	277	2.5	295	537	30	108
300 (11¾)	300	2.5	322	560	30	108
323 (12⅝)	323	2.5	360	583	30	108
325 (12¾)	325	2.5	360	585	30	108
332 (13)	332	2.5	360	592	30	108
355 (14)	355	2.5	396	615	30	108

Models from 219mm diameter (column A) upwards are constructed with double equalizer