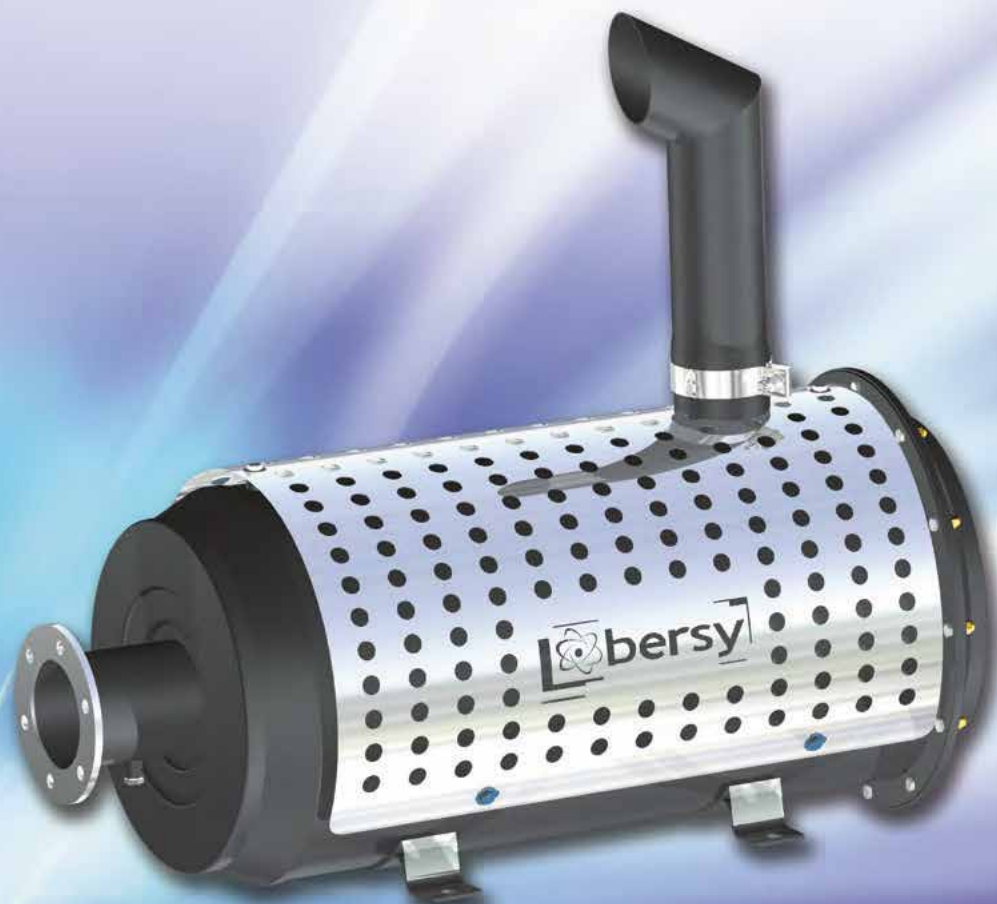




PARTICULATE FILTER

**UGET 3+**

www.gencat.co.uk



# GenCat

- OVER 99% REDUCTION IN PARTICULATES
- NO REGENERATION REQUIRED
- QUICK CARTRIDGE REPLACEMENT
- SUITABLE FOR STAND BY USE AND LOW EXHAUST GAS TEMPERATURE
- EASY INSTALLATION AND DIAGNOSTICS
- CERTIFIED BY THE ENERGY SAVING TRUST (EST) FOR THE LONDON LEZ NON ROAD MOBILE MACHINERY (NRMM) SCHEME.



# GenCat

## DESCRIPTION

Exhaust gas purification is an ever evolving technology and **Bersy** are continually improving their range of exhaust gas purification systems in order to offer the most advanced, long lasting and reliable solutions.

After many years of research and development into improving exhaust emissions, **Bersy** now presents this innovative exhaust gas filtration system.

The **UGET 3+** is a dry particulate filter system, capable of reducing particulate matter by over 99%.

The environmental and health advantages are clear, enabling customers to meet the very stringent regulations laid down by Government Health and Safety executives.

**Therefore the UGET 3+ filter has been BAFU (SWISS) & EST ENERGY SAVING TRUST (UK) certified as well as TRGS 554 compliant.**

## OPERATING PRINCIPLE

Very fine unburnt carbon particles are responsible for the typical black smoke emitted from a diesel engine exhaust. They are the main cause of many respiratory illnesses and also have a damaging effect on the environment.

These negative effects are compounded when diesel vehicles are used in confined spaces or in close proximity to human beings (i.e. tunnels, mines, quarries or in factories and warehouses).

The **UGET3+** filter housing is made of stainless steel and encompasses a heat shield for protection against burns; the filter cartridge is fire & heat resistant (to 200°C) and also

Certified by the Energy Saving Trust (EST) for the London LEZ Non Road Mobile Machinery (NRMM) scheme.



Certified by BAFU



Schweizerische Eidgenossenschaft  
Confédération suisse  
Confederazione Svizzera  
Confederaziun svizra



Conforms to TRGS554

resistant to aggressive elements contained in the exhaust gases.

The texture weave of the special fibres retains carbon particles as small as 20nm.

The filter system is fitted in addition to the existing exhaust system and the fibrous material of the filter element traps the carbon particles, retaining them in the filter allowing the remaining exhaust gases to pass through.

**UGET 3+** filters are available in various standard sizes and are supplied complete with cartridge(s) ready for immediate use. As well as standard models shown here, Bersy can produce units suitable for even larger engines to suit customers' individual needs.

## FITTING INSTRUCTIONS

Bersy recommend that the **UGET 3+** filter is fitted as far away as possible from the engine to avoid any problems with the filter overheating.

The filter housing should be fitted to the vehicles frame or body with fixing brackets and connected with a piece of flexible pipe, using the counter flanges supplied, to the existing exhaust outlet.

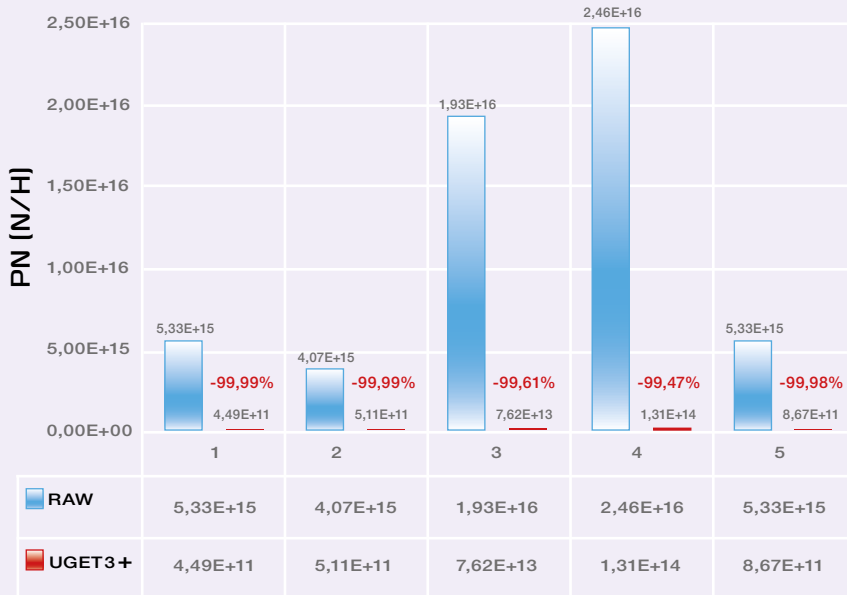
It is advised to fit the **UGET 3+** filter system after the silencer. Fitting the pressure control kit is straightforward and is compulsory in some European countries.



**OVER 99% REDUCTION  
IN PARTICULATES**

## PN REDUCTION EFFICIENCY

MODE		1	2	3	4	5
SPEED	min <sup>-1</sup>	1560	1560	2600	2600	1560
TORQUE	Nm	113	75	32	64	113



## MAINTENANCE

The filter does not require any scheduled maintenance.

At the end of the filter cartridge life, the back plate and cartridge are removed and replaced with a new one.

Used cartridges are not classed as hazardous waste, but must be disposed of as special waste.

**Bersy** suggest verifying local regulations for the disposal of used cartridges.

## FILTER LIFE

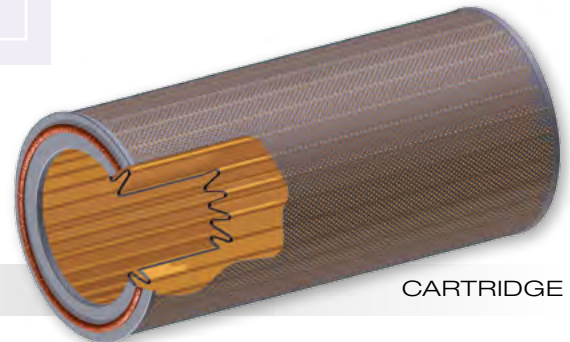
The life of the filter element is approximately **250 hours of use**, depending on the condition and maintenance of the engine.

## PRESSURE CONTROL KIT

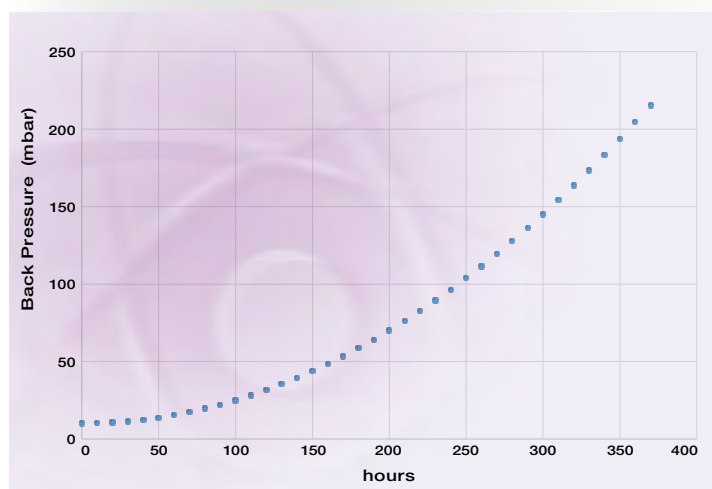
In order to check the efficiency of the system, an additional control system is available separately to verify the back pressure created by the filter.

Through a **LED**, the pressure control kit shows the operator the filter is working correctly or if any necessary maintenance is required.

Also available is the **ECU BYBOX**, an advanced control system to monitor temperature and pressure, storing the related data values for evaluation later.



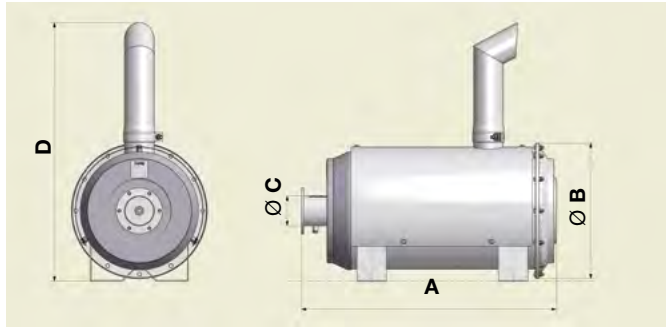
CARTRIDGE



## BACK PRESSURE TESTS

Back Pressure tests have been carried out to record the pressures caused by the filter at different stages of its life. The graph shows average values observed.

### UGET 3+ mod. D20-D300

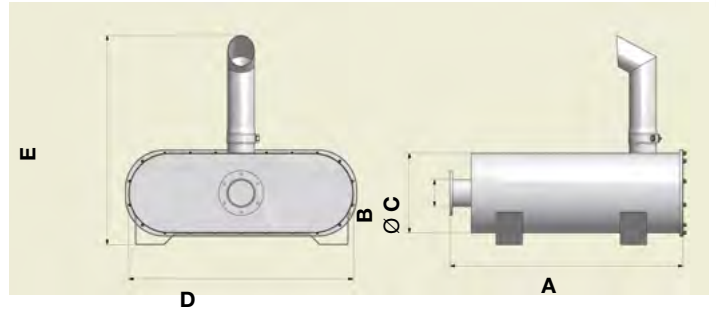


All dimensions in mm

CODE	MODEL	POWER	A	ØB	ØC	D
20000100	D 20	up to KW 12	356	234	50	510
20000101	D 40	up to KW 22	606	234	50	650
20000102	D 80	up to KW 45	620	296	80	650
20000103	D 125	up to KW 68	620	366	80	960
20000104	D 200	up to KW 113	872	464	101	885
20000105	D 300	up to KW 170	1096	464	101	885

• Supplied with counter flange, gasket, bolts and nuts.

### UGET 3+ mod.D400-D600

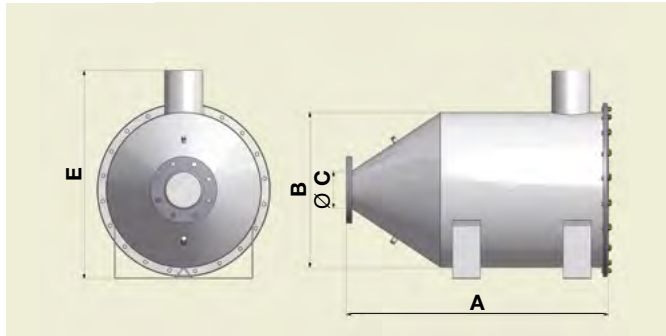


All dimensions in mm

CODE	MODEL	POWER	A	B	ØC	D	E
20000106	D 400	up to KW 227	872	464	101	850	885
20000107	D 600	up to KW 340	1096	464	101	850	885

• Supplied with counter flange, gasket, bolts and nuts.

### UGET 3+ mod. D900-D3000

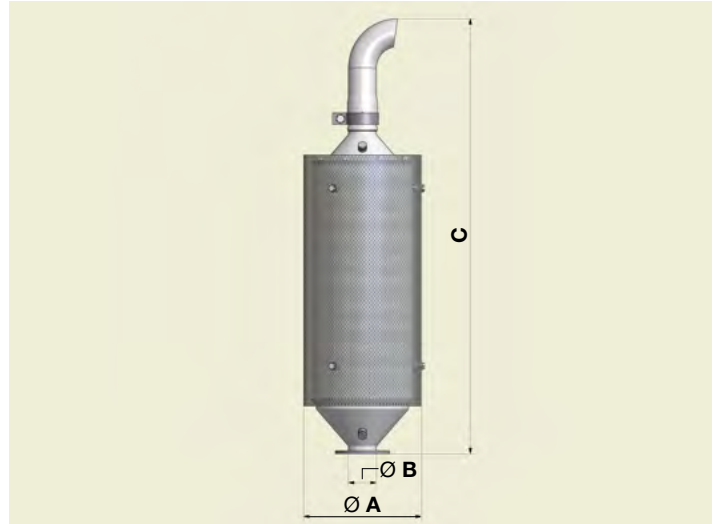


All dimensions in mm

CODE	MODEL	POWER	A	B	ØC	ØD	E
20000108	D 900	up to KW 510	1514	900	168	168	1080
20000109	D 1200	up to KW 680	1514	950	219	219	1130
20000110	D 1500	up to KW 850	1614	1200	219	219	1440
20000111	D 1800	up to KW 1020	1614	1250	273	273	1480
20000112	D 2100	up to KW 1190	1614	1250	273	273	1480
20000113	D 2400	up to KW 1360	1614	1350	324	324	1550
20000114	D 2700	up to KW 1530	1624	1700	356	356	2000
20000115	D 3000	up to KW 1700	1624	1800	356	356	2100

• Supplied with counter flange, gasket, bolts and nuts.

### UGET 3+ VERTICAL mod. D40-D80



All dimensions in mm

CODE	MODEL	POWER	ØA	ØB	C
20000064	D 40	up to KW 22	265	80	980
20000090	D 80	up to KW 45	290	80	980

• Supplied with counter flange, gasket, bolts and nuts.

Disclaimer: the information and dimensions shown are correct at time of press. Due to technological advancements are subject to change without notice.

# GenCat

[www.gencat.co.uk](http://www.gencat.co.uk)



Tel: 020 7998 7702 | email: [info@gencat.co.uk](mailto:info@gencat.co.uk)  
or visit our website [www.gencat.co.uk](http://www.gencat.co.uk) for more information